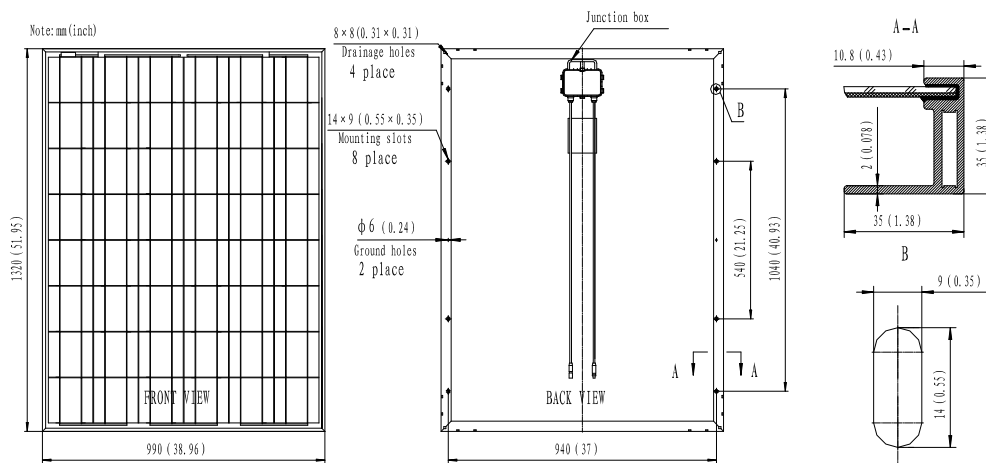


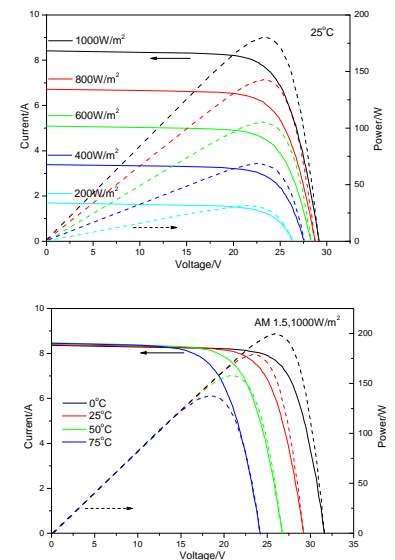
Specifications of SST185-48P Polycrystalline solar module

Type	SST 190-48P	SST 185-48P	SST 180-48P	SST 175-48P	SST 170-48P
Electrical typical data					
Pmpp [Wp]	190	185	180	175	170
Voc[V]	29.5	29.4	29.2	29.0	28.9
Isc[A]	8.61	8.57	8.43	8.26	8.13
Vmpp [V]	23.7	23.6	23.4	23.2	23.0
Imp [A]	8.02	7.84	7.70	7.55	7.40
Practical module efficiency	16.27%	15.84%	15.41%	14.98%	14.55%
Maximum system voltage [V]	1000				
Voltage temperature coefficients	-0.292%/K				
Current temperature coefficients	+0.045%/K				
Power temperature coefficients	-0.408%/K				
Series fuse rating[A]	15				
Cells	6×8 pieces polycrystalline solar cells series strings (156mm×156mm)				
Junction box	with 6 bypass diodes				
Cable	length 900 mm, 1×4 mm ²				
Front glass	White toughened safety glass, 3.2 mm				
Cell encapsulation	EVA (Ethylene-Vinyl-Acetate)				
Back sheet	composite film				
Frame	Anodised aluminium profile				
Dimensions	1320×990×35mm (L×W×H)				
Maximum surface load capacity	tested up to 2,400 Pa according to IEC 61215				
Hail	maximum diameter of 25 mm with impact speed of 23 m·s ⁻¹				
Temperature range	- 40 °C to + 85 °C				

Dimensions



I-V Curves



Note:

- The electrical data relates to standard test conditions [STC]: 1,000 W/m²; AM 1.5; 25°C.
- performance deviation of Pmpp: -/+ 3%. performance deviation of Voc[V],Isc[A],Vmpp [V] and Imp [A]: -/+ 10%.
- certified in accordance with IEC 61215, IEC 61730-1/2 and UL 1703.