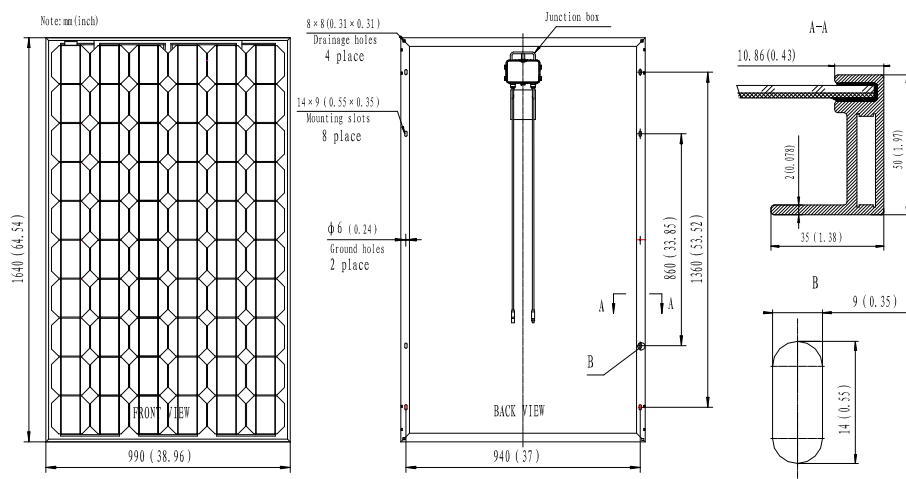


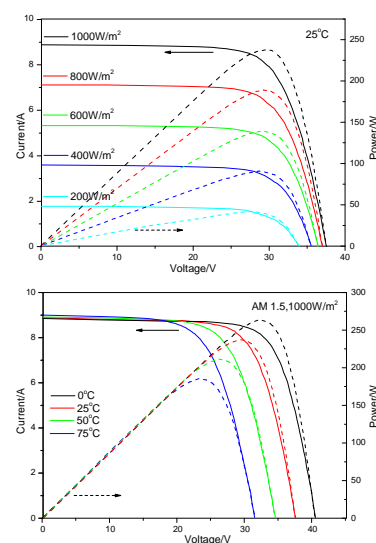
Specifications of SST 245-60M Monocrystalline solar module

Type	SST 250-60M	SST 245-60M	SST 240-60M	SST 235-60M	SST 230-60M	SST 225-60M	SST 220-60M
Electrical typical data							
Pmpp [Wp]	250	245	240	235	230	225	220
Voc[V]	37.3	37.2	37	36.8	36.8	36.7	36.5
Isc[A]	8.78	8.69	8.62	8.54	8.45	8.36	8.28
Vmpp [V]	30.1	30.0	29.8	29.6	29.5	29.3	29.1
Imp [A]	8.31	8.17	8.06	7.94	7.80	7.68	7.57
Practical module efficiency	17.44%	17.09%	16.74%	16.39%	16.04%	15.69%	15.34%
Maximum system voltage [V]	1000						
Voltage temperature coefficients	-0.307%/K						
Current temperature coefficients	+0.039%/K						
Power temperature coefficients	-0.423%/K						
Series fuse rating[A]	15						
Cells	6×10 pieces monocrystalline solar cells series strings (156mm×156mm)						
Junction box	with 6 bypass diodes						
Cable	length 900 mm, 1×4 mm ²						
Front glass	White toughened safety glass, 3.2 mm						
Cell encapsulation	EVA (Ethylene-Vinyl-Acetate)						
Back sheet	composite film						
Frame	Anodised aluminium profile						
Dimensions	1640×990×50mm (L×W×H)						
Maximum surface load capacity	tested up to 5,400 Pa according to IEC 61215						
Hail	maximum diameter of 25 mm with impact speed of 23 m·s ⁻¹						
Temperature range	- 40 °C to + 85 °C						

Dimensions



I-V Curves



Note:

- ⚡ The electrical data relates to standard test conditions [STC]: 1,000 W/m²; AM 1.5; 25°C.
- ⚡ performance deviation of Pmpp: +/- 3%. performance deviation of Voc[V],Isc[A],Vmpp [V] and Imp [A]: +/- 10%.
- ⚡ certified in accordance with IEC 61215, IEC 61730-1/2 and UL 1703.